

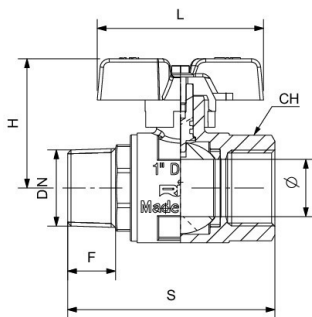


RIV 4384

Ball valve M/F heavy type
 full bore
 aluminium sealing butterfly handle

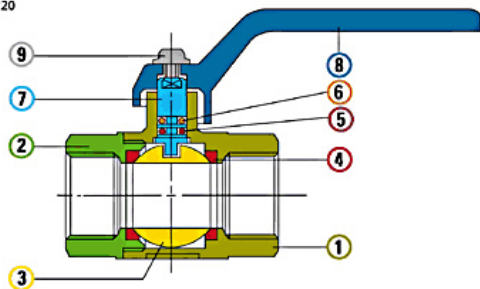
Tech drawings and tables

DN	Code	Ø	H	S	L	F	PN	KG	P/box
1/2"	024384000004	15	45	67	60	16	64	0,273	10
3/4"	024384000005	20	53	76	73	17,5	64	0,441	10
1"	024384000007	25	57	91	73	21	64	0,688	8



Technical data

Art. 4220



Materials

1	Body	Brass	CW617N	Nickel-plated
2	Body end	Brass	CW617N	Nickel-plated
3	Ball	Brass	CW617N	Chrome-plated
4	Seats	P.T.F.E.		
5	O-Ring	FKM		
6	O-Ring	NBR		
7	Stem	Brass	CW614N	
8	Lever	Aluminium		Green
9	Screw	Steel		Zinc-plated

Connections

F/F: ISO 7/1Rp (parallel) - M/F: male ISO 7/1R (tapered), female ISO 7/1Rp (parallel)

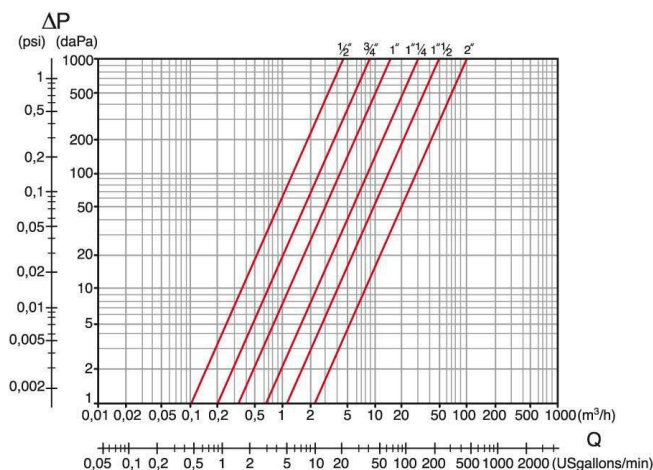
Limit

-20°C (without liquid) +150°C

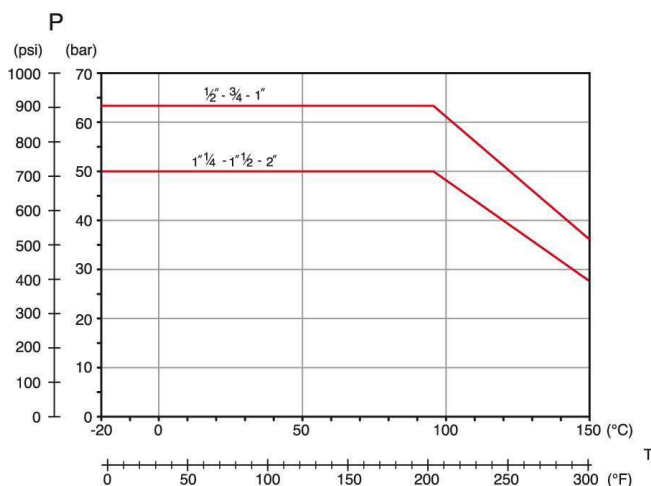
Notes

The max.working pressure (PN) means at a room temperature of about 23°C.

Pressure Loss Chart



Temperature/Pressure



Kv & Cv Coefficients

Size	Kv	Cv
1/2"	15,5	17,9
3/4"	31,0	36,0
1"	52,0	60,0
1"1/4	100,0	116,0
1"1/2	180,0	208,0
2"	350,0	405,0